

## THESE TERMS GOVERN YOUR USE OF THIS DOCUMENT

***Your use of this Ontario Geological Survey document (the “Content”) is governed by the terms set out on this page (“Terms of Use”). By downloading this Content, you (the “User”) have accepted, and have agreed to be bound by, the Terms of Use.***

**Content:** This Content is offered by the Province of Ontario’s *Ministry of Northern Development and Mines* (MNMD) as a public service, on an “as-is” basis. Recommendations and statements of opinion expressed in the Content are those of the author or authors and are not to be construed as statement of government policy. You are solely responsible for your use of the Content. You should not rely on the Content for legal advice nor as authoritative in your particular circumstances. Users should verify the accuracy and applicability of any Content before acting on it. MNMD does not guarantee, or make any warranty express or implied, that the Content is current, accurate, complete or reliable. MNMD is not responsible for any damage however caused, which results, directly or indirectly, from your use of the Content. MNMD assumes no legal liability or responsibility for the Content whatsoever.

**Links to Other Web Sites:** This Content may contain links, to Web sites that are not operated by MNMD. Linked Web sites may not be available in French. MNMD neither endorses nor assumes any responsibility for the safety, accuracy or availability of linked Web sites or the information contained on them. The linked Web sites, their operation and content are the responsibility of the person or entity for which they were created or maintained (the “Owner”). Both your use of a linked Web site, and your right to use or reproduce information or materials from a linked Web site, are subject to the terms of use governing that particular Web site. Any comments or inquiries regarding a linked Web site must be directed to its Owner.

**Copyright:** Canadian and international intellectual property laws protect the Content. Unless otherwise indicated, copyright is held by the Queen’s Printer for Ontario.

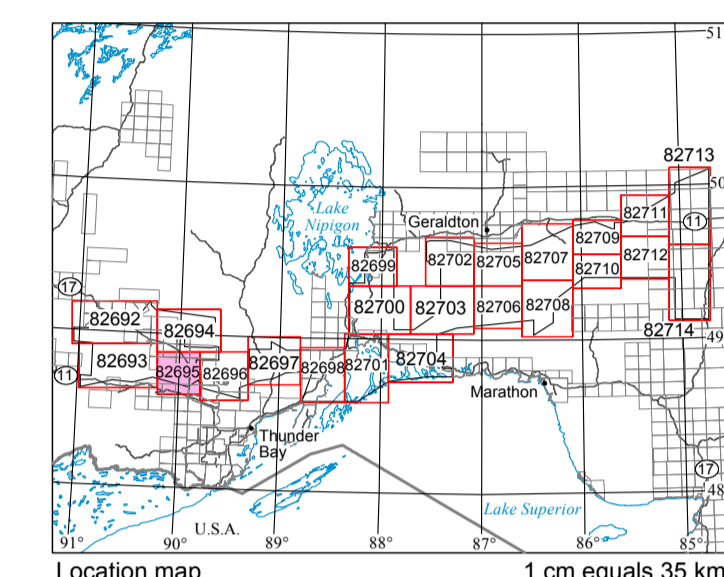
It is recommended that reference to the Content be made in the following form:

Ontario Geological Survey 2015. Airborne magnetic and gamma-ray spectrometric surveys, shaded colour image of the second vertical derivative of the residual magnetic field and Keating coefficients, Lac des Milles Lacs–Nagagami Lake area; Ontario Geological Survey, Map 82 695, scale 1:50 000.

**Use and Reproduction of Content:** The Content may be used and reproduced only in accordance with applicable intellectual property laws. *Non-commercial* use of unsubstantial excerpts of the Content is permitted provided that appropriate credit is given and Crown copyright is acknowledged. Any substantial reproduction of the Content or any *commercial* use of all or part of the Content is prohibited without the prior written permission of MNMD. Substantial reproduction includes the reproduction of any illustration or figure, such as, but not limited to graphs, charts and maps. Commercial use includes commercial distribution of the Content, the reproduction of multiple copies of the Content for any purpose whether or not commercial, use of the Content in commercial publications, and the creation of value-added products using the Content.

**Contact:**

<b>FOR FURTHER INFORMATION ON</b>	<b>PLEASE CONTACT:</b>	<b>BY TELEPHONE:</b>	<b>BY E-MAIL:</b>
<b>The Reproduction of the EIP or Content</b>	MNMD Publication Services	Local: (705) 670-5691 Toll-Free: 1-888-415-9845, ext. 5691 (inside Canada, United States)	<a href="mailto:Pubsales.ndm@ontario.ca">Pubsales.ndm@ontario.ca</a>
<b>The Purchase of MNMD Publications</b>	MNMD Publication Sales	Local: (705) 670-5691 Toll-Free: 1-888-415-9845, ext. 5691 (inside Canada, United States)	<a href="mailto:Pubsales.ndm@ontario.ca">Pubsales.ndm@ontario.ca</a>
<b>Crown Copyright</b>	Queen’s Printer	Local: (416) 326-2678 Toll-Free: 1-800-668-9938 (inside Canada, United States)	<a href="mailto:Copyright@gov.on.ca">Copyright@gov.on.ca</a>



**AIRCRAFT**  
 Type: Piper Navajo PA-31  
 Registration: C-GJBB, C-GJBG

**MAGNETOMETER**  
 Type: Geometrics cesium-vapour  
 Sensitivity: 0.005 nT  
 Noise level: 0.05 nT  
 Sample interval: 10 readings per second  
 Sensor locations: wingtips (transverse separation is 14.78 m)  
 Tail stinger (longitudinal separation is 9.75 m)  
 Compensation: RMS ADCII  
 Data Acquisition: GEDAS

**GAMMA-RAY SPECTROMETER SYSTEM**  
 Type: Radiation Solutions RS-500  
 Downward-looking crystal volume: 33.6 L  
 Upward-looking crystal volume: 8.4 L  
 Number of channels: 1024  
 Sample interval: 1 reading per second  
 Sensor location: near centre of aircraft  
 Potassium window: 1370 to 1570 keV  
 Uranium window: 1660 to 1850 keV  
 Thorium window: 2410 to 2810 keV  
 Total count window: 410 to 2810 keV

**NAVIGATION SYSTEM**  
 GPS receiver: Novatel OEM4 ProPak  
 GPS sample interval: 1 reading per second  
 Radar altimeter: Thompson GFS 530A  
 Radar sample interval: 10 readings per second  
 Barometric altimeter: Setra 270  
 Barometric sample interval: 10 readings per second  
 Video flight path camera: Panasonic GPKR402 HRSV  
 Navigation-Acquisition: GEDAS

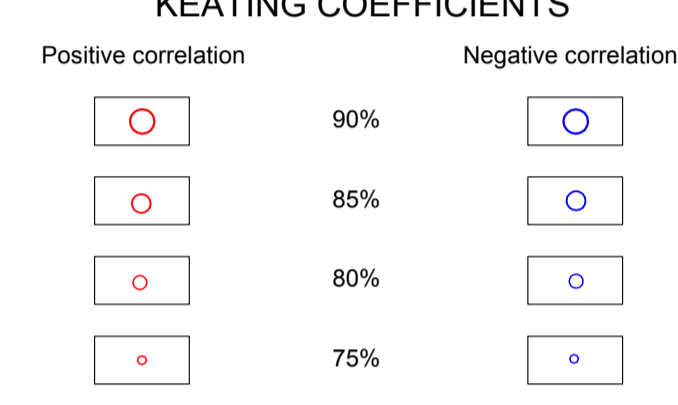
**BASE STATION**  
 Type: GEM System GSM-19W  
 Magnetometer sample interval: 1 reading per second  
 GPS sample interval: 1 reading per second

**SURVEY SPECIFICATIONS**  
 Survey date: July 18 to October 29, 2014  
 Nominal aircraft terrain clearance: 100 m  
 Traverse line spacing: 200 m  
 Control line spacing: 2000 m  
 Traverse line direction: 0 degrees  
 Control line direction: 90 degrees

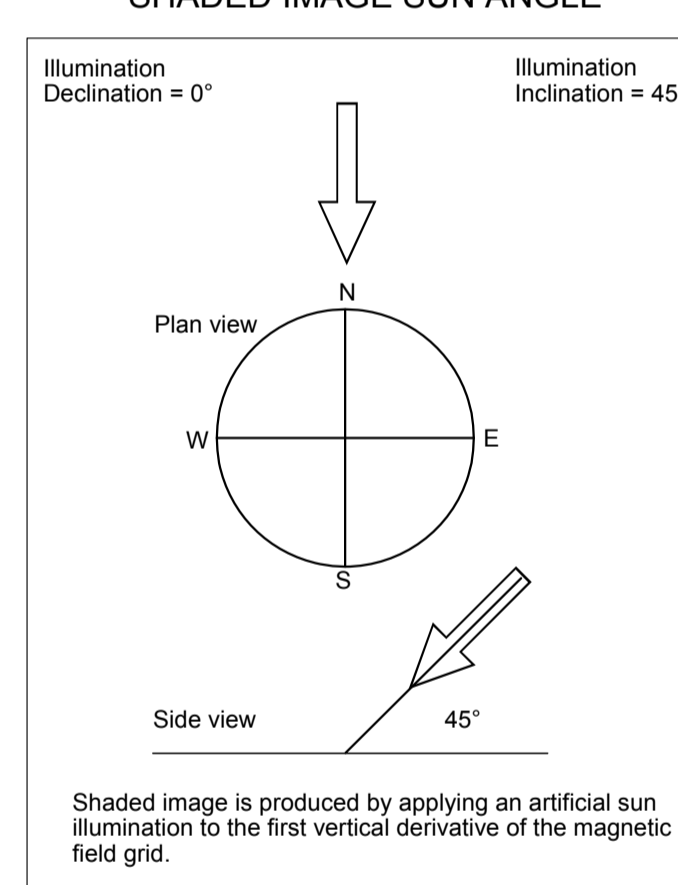
**CO-ORDINATE SYSTEM**  
 Projection: Universal Transverse Mercator  
 Datum: NAD83  
 Central meridian: 87°W (UTM zone 16N)  
 Central scale factor: 0.9996  
 False easting: 500 m  
 False northing: 0 m

LEGEND

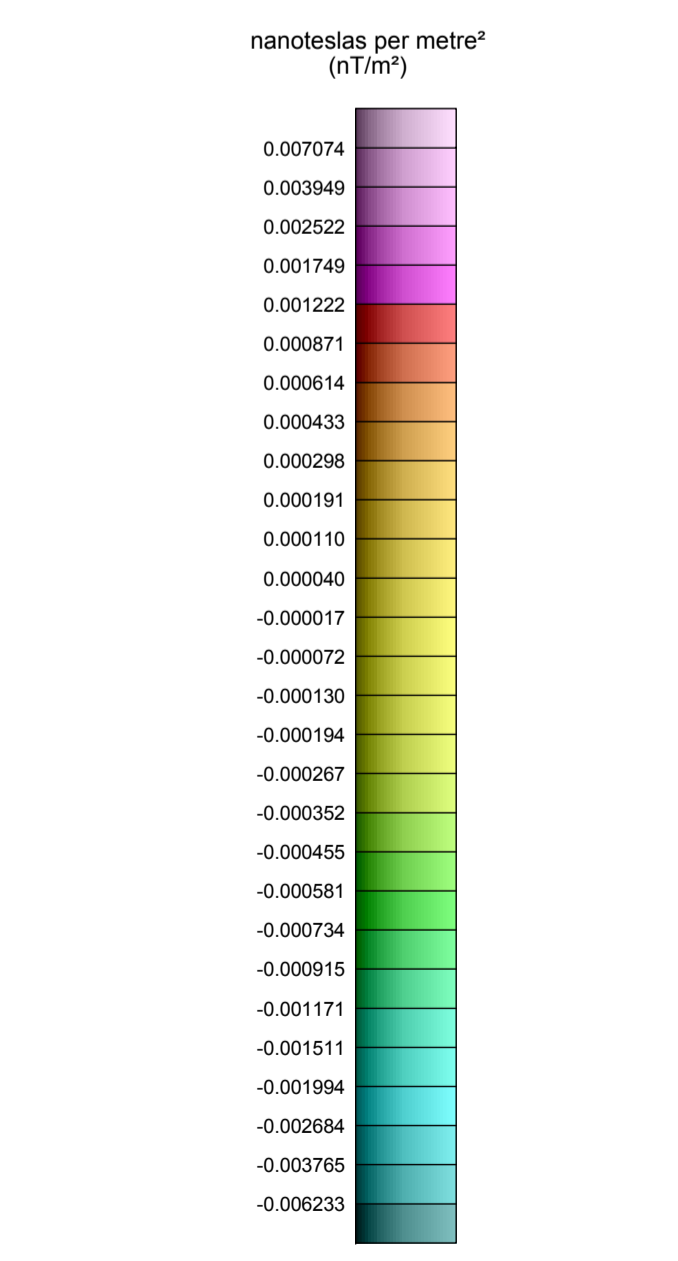
KEATING COEFFICIENTS



SHADED IMAGE SUN ANGLE



SECOND VERTICAL DERIVATIVE OF THE MAGNETIC FIELD GRID



DESCRIPTIVE NOTES

**Introduction**  
 The data comprising this map are derived from the results of an airborne magnetic and gamma-ray spectrometric survey carried out by Goldak Airborne Surveys. The survey was flown using 2 Piper PA-31 Navajo aircraft. The aircraft were each equipped with 3 Geometrics magnetic sensors, Radiation Solutions gamma-ray spectrometers, GPS navigation systems and digital data acquisition systems.

**Second Vertical Derivative of the Magnetic Field**  
 The second vertical derivative of the magnetic field is the rate of change of the magnetic field in the vertical direction. Computation of the second vertical derivative removes long wavelength features of the magnetic field and significantly improves the resolution of closely spaced and superposed anomalies. The values for the second vertical derivative of the magnetic field were computed directly from the gridded gradient enhanced residual magnetic intensity data using a fast Fourier transform, combining the transfer functions of the first vertical derivative and an eighth-order Butterworth low-pass filter (250 m cut-off wavelength). The low-pass filter was aimed at attenuating unwanted high frequencies enhanced by the derivative operator.

The shaded relief parameters are:  
 Shading inclination: 45°  
 Shading declination: 0°

**Keating Correlation Coefficients**  
 Possible kimberlite targets have been identified from the residual magnetic intensity data, based on the identification of roughly circular anomalies. This procedure was automated by using a known pattern-recognition technique (Keating 1995), which consists of computing, over a moving window, a first-order regression between a vertical cylinder model anomaly and the gridded magnetic data. Only the results where the absolute value of the correlation coefficient is above a threshold of 75% were retained. The results are depicted as circular symbols, scaled to reflect the correlation value. The most favourable targets are those that exhibit a cluster of high amplitude solutions. Correlation coefficients with a negative value correspond to reversely magnetized sources. It is important to be aware that other magnetic sources may correlate well with the vertical cylinder model, whereas some kimberlite pipes of irregular geometry may not.

The cylinder model parameters are as follows:  
 Cylinder radius: 100 m  
 Cylinder length: infinite  
 Overburden thickness: 4 m  
 Field inclination: 74.6°  
 Field declination: -5.2°  
 Window size: 17 x 17 cells

SOURCES OF INFORMATION

Base map information derived from the Land Information Ontario Data Warehouse, Land Information Ontario, Ministry of Natural Resources and Forestry, scale 1:50 000.

Magnetic declination for the centre of the map area was approximately 3°7'W in 2015.

Keating, P.B. 1995. A simple technique to identify magnetic anomalies due to kimberlite pipes. Exploration and Mining Geology, v.4, no.2, p.121-125.

CREDITS

Data acquisition, data compilation and map production by Goldak Airborne Surveys, Saskatoon, Saskatchewan.

Project management and quality assurance by Paterson, Grant and Watson Limited, Toronto, Ontario.

Contract management, base maps and map surrounds by the Ministry of Northern Development and Mines, Sudbury, Ontario.

Every possible effort has been made to ensure the accuracy of the information presented on this map; however, the Ministry of Northern Development and Mines does not assume liability for errors that may occur. Users should verify critical information.

Corresponding digital data for this survey are available from the following Ontario Geological Survey publication:  
 Ontario Geological Survey 2015. Ontario airborne geophysical surveys, magnetic and gamma-ray spectrometric data, grid and profile data (ASCII format) and vector data, Lac des Mille Lacs-Nagagami Lake area, Ontario Geological Survey, Geophysical Data Set 1078a.

Ontario Geological Survey 2015. Ontario airborne geophysical surveys, magnetic and gamma-ray spectrometric data, grid and profile data (Geosoft format) and vector data, Lac des Mille Lacs-Nagagami Lake area, Ontario Geological Survey, Geophysical Data Set 1078b.

Issued 2015.

Information from this publication may be quoted if credit is given. It is recommended that reference be made in the following form:  
 Ontario Geological Survey 2015. Airborne magnetic and gamma-ray spectrometric surveys, shaded colour image of the second vertical derivative of the residual magnetic field and Keating coefficients, Lac des Mille Lacs area, Ontario Geological Survey, Map 82 695, scale 1:50 000.

Users of OGS products are encouraged to contact those Aboriginal communities whose traditional territories may be located in the mineral exploration area to discuss their project.

